



M12 Male Angled Precast Connector with K-CODE, 12A Rated Current, and IP67 Protection for Automation Sensors, 2M/5M/10M.

Our Product Introduction

for more products please visit us on connector-industrial.com

Basic Information

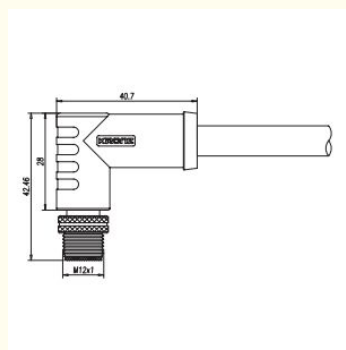
- Place of Origin: Guangdong, China
- Brand Name: KRONZ
- Certification: CE
- Model Number: M1204KMA-2/P00K
- Minimum Order Quantity: 80
- Price: Negotiable
- Packaging Details: Polybag packing
- Delivery Time: 5-8 working days
- Payment Terms: T/T, Western Union, MoneyGram
- Supply Ability: 100000 pieces per month

KRONZ

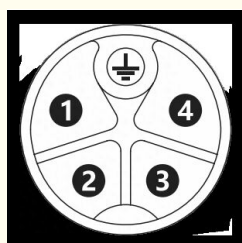


Product Specification

- Implementation Standards: IEC 61076-2-101
- Wire Color: 1=BK 2=BK 3=BK 4=BK 5=GN/YE
- Rated Current: 12A
- Degree Of Protection: IP67
- Housing Material: Plastic, TPU, Black
- Ambient Temperature: -25~+85
- Contact Surface Material: Alloy, Copper Zinc, Gold Plated
- Mating Cycles: >100
- Seal Material: FPM/FKM



More Images



KRONZ



KRONZ



KRONZ



KRONZ

Product Description

M12 Male Angled, Precast Connector K-CODE 630VAC IP67 Gold-Plated Contacts for Automation Sensors

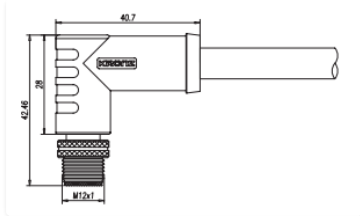
The M12 male elbow type, pre-cast connector is a core connection component specially designed for industrial automation, sensors and harsh environment applications. It adopts a 90° elbow structure and pre-cast integrated molding process, and has both compact space adaptability and high reliability. The main body is made of nickel-plated alloy copper to form a connecting nut, taking into account both

Our Product

strength and corrosion resistance; the contacts are made of gold-plated alloy copper to ensure low contact resistance ($\leq 5m\Omega$) and stable signal transmission; the contact carrier is made of black PA plastic, and the clamping base is black TPU plastic, with FPM/FKM sealing material to achieve IP67 protection, effectively resist dust intrusion and short-term water immersion, and meet the industrial environment requirements of pollution level 3.

This connector strictly complies with the IEC 61076-2-101 international standard, supports wide temperature range operation from $-25^{\circ}C$ to $+85^{\circ}C$, has an insulation resistance of up to $\geq 100M\Omega$, has a mechanical life of more than 100 plug-and-unplug cycles, and can operate stably in vibration, moisture or oil pollution scenarios for a long time. Its pre-cast design simplifies the installation process, and its curved structure facilitates wiring in small spaces. It is widely used in industrial control systems, robots, communication equipment and outdoor monitoring devices, providing efficient and safe solutions for power and signal connections between equipment. It is an ideal connection choice for intelligent equipment in the Industry 4.0 era.

M12 male angled, precast connector K-CODE 630VAC IP67 gold-plated contacts for automation sensors



Product Overview

The M12 Connector is engineered with high-quality materials to deliver exceptional durability and performance in demanding industrial environments. Featuring a PA contact carrier in black for impact resistance, and FPM/FKM seals for superior chemical resistance against oils and fuels.

Analysis

PRODUCT ANALYSIS

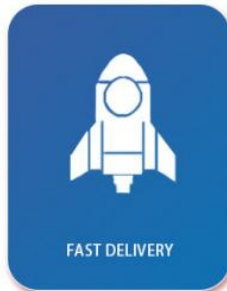
MORE COMPREHENSIVE UNDERSTANDING OF THE PRODUCT

PVC MATERIAL WITH HIGH FLEXIBILITY AND BENDING RESISTANCE

The connector utilizes brass contact surfaces with gold plating to ensure reliable, low-resistance electrical connections. The nickel-plated brass contact nuts provide excellent corrosion and wear resistance.

6 REASONS TO CHOOSE US

Providing you with the best protection



KRONZ

PRODUCT DETAILS

STRENGTH FACTORY QUALITY ASSURANCE



COPPER CORE GOLD-PLATED COLD RESISTANT AND HEAT-RESISTANT EXQUISITE CRAFTSMANSHIP

Designed for rigorous industrial applications, this connector offers high ingress protection (IP67) against dust and water, along with a high mating cycle rating for frequent connection and disconnection without performance degradation.

Degree of protection IP67 Waterproof and dustproof

Durable, Waterproof, Dustproof



PRODUCT NAME	SERIES PRODUCT DISPLAY Pre-assembled cable M12 -- Power series
Straight Male and female options available	
Angled Male and female options available	

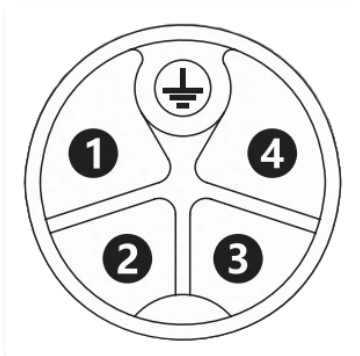
*There are many product categories, only some products are displayed.
If you need other products, please contact customer service and send the product catalog

Technical Specifications

Standard	IEC 61076-2-101
Contact Nut Material	Alloy, Brass, nickel-plated
Contact Surface Material	Alloy, Brass, gold-plated
Contact Carrier Material	Plastic, PA, black
Housing Material	Plastic, TPU, black
Seal Material	FPM/FKM
Insulation Resistance	≥100MΩ
Contact Resistance	≤5mΩ
Pollution Degree	3
Ambient Temperature	-25~+85
Mating Cycles	>100
Degree of Protection	IP67

Pin Assignment & Configuration

Pin Assignment	Connection Method	Coding System	Rated Current	Voltage	Wire Gauge	Cable Outlet	Length	Model No.
1=BK 2=BK 3=BK 4=BK 5=GN/YE	K-CODE	K-CODE	12A	630VAC	4×1.5 (4×16AWG) PVC, black	Straight	2M	M1204KMA-2/P00K



PRODUCTION PROCESS



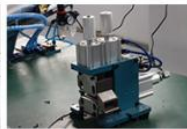
1. Raw Material



2. Trim The Wire



3. Peel The Skin



4. Peel The Inner Skin



5. Welding



6. Injection Molding
(inner film)



7. Injection Molding
(outer film)



8. Detection



9. Labeling



10. Coiling



11. Seal the bag



12. Packing

COMPANY CERTIFICATE



Customization Options

The M12 Connector with Pre-molded Cable is a male connector compliant with IEC 61076-2-101 standard, rated for 12A current and 630VAC voltage. Constructed with TPU housing material in black and designed for over 100 mating cycles.

INDUSTRIAL CONNECTOR

PARAMETER TABLE

THE STANDARD LENGTH IS 2.5/10 METERS, AND ANY LENGTH CAN BE CUSTOMIZED

For custom specifications and requirements, please contact our sales team to discuss your specific application needs.

Technical Support & Services

- Expert technical assistance for product selection and configuration
- Installation guidance and support
- Troubleshooting and issue resolution
- Product warranty and repair services
- Training and education resources
- Customized solutions for unique application needs

KRONZ Kronz (guangzhou) Electronics Co., Ltd.



+8618924160375



sales02@kronz.cn



connector-industrial.com

Floor 7, Building 12B, Hanhe Robot Intelligent Manufacturing Base Exhibition Center, Xiangshan Avenue,
Zengcheng Economic Development Zone, Guangzhou, Guangdong Province, China