



M12 connector male 2M cable S-code IP67 suitable for industrial automation

Our Product Introduction

for more products please visit us on connector-industrial.com

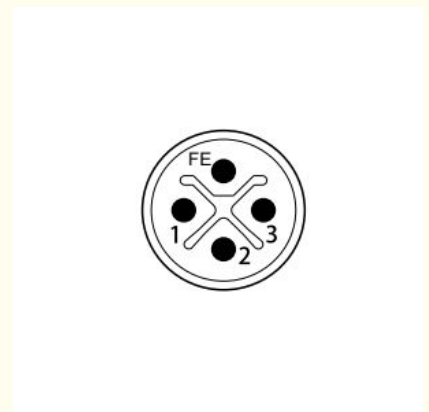
Basic Information

- Place of Origin: Guangdong, China
- Brand Name: KRONZ
- Certification: CE
- Model Number: M1204SM-2/P00K
- Minimum Order Quantity: 80
- Price: Negotiable
- Packaging Details: Polybag packing
- Delivery Time: 5-8 working days
- Payment Terms: T/T, Western Union, MoneyGram
- Supply Ability: 100000 pieces per month



Product Specification

- Implementation Standards: IEC 61076-2-101
- Wire Color: 1=BK 2=BK 3=BK 4=BK 5=GN/YE
- Coding System: S-CODE
- Rated Current: 12A
- Degree Of Protection: IP67
- Housing Material: Plastic, TPU, Black
- Ambient Temperature: -25~+85
- Contact Surface Material: Alloy, Copper Zinc, Gold Plated



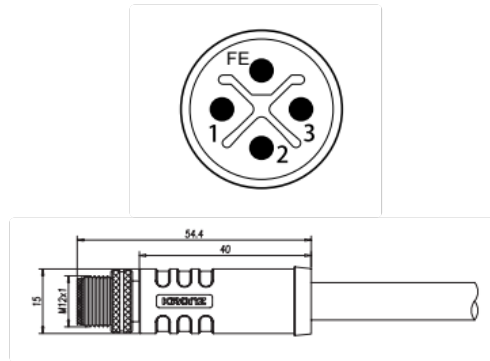
More Images



Product Description

M12 S-CODE 5-Core Straight Pre Cast Connector - High Voltage Signal Transmission Expert

Product models: M1204SM-2/P00K/M1204SM-5/P00K/M1204SM-10/P00K



- ✓ 4-core power code, 12A high current carrying capacity
- ✓ IP67 waterproof and dustproof rating, suitable for harsh environments
- ✓ Gold plated contacts ensure stable signal transmission
- ✓ High flexibility PVC cable with long bending resistance and lifespan

KRONZ

INDUSTRIAL CONNECTOR

— •
FACTORY
DIRECT
SALE
IP67

PRE ASSEMBLED CABLE M12

- POWER SERIES

COMPLETE SPECIFICATIONS OF 4/5 CORES



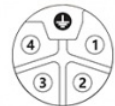
K Coding

L Coding

S Coding

T Coding

Male



Female



*THE COLOR OF THE PRE CAST WIRE AND THE COLOR OF THE PLUG CAN BE CUSTOMIZED.

Product advantages and features

Why choose KRONZ M12 S-CODE connector?

6 REASONS TO CHOOSE US

Providing you with the best protection



STABLE PERFORMANCE



TENSILE AND WEAR-RESISTANT



TECHNICAL SUPPORT



QUALITY ASSURANCE



FAST DELIVERY



INTIMATE SERVICE

1. High voltage application expert

Support 630VAC high working voltage
5-core design meets complex signal transmission requirements
Excellent insulation performance, insulation resistance $\geq 100M \Omega$

2. Material and process advantages

Contact materials: alloy, copper zinc, gold plating
Connector nut: alloy, copper zinc, nickel plating
Contact carrier: PA black plastic, high temperature resistant
Clamping substrate: TPU black, high elasticity

3. Excellent environmental adaptability

IP67 protection level, completely dustproof and waterproof
Working temperature range: $-25^{\circ}C$ to $+85^{\circ}C$
FPM/FKM sealing material, resistant to chemical corrosion
Pollution level 3, suitable for industrial environment

4. Reliable quality assurance

Contact resistance $\leq 5m \Omega$
Mechanical lifespan >100 insertions and removals
Compliant with international IEC standards
Factory direct sales, controllable quality



PRODUCT DETAILS

STRENGTH FACTORY QUALITY ASSURANCE



COPPER CORE GOLD-PLATED COLD RESISTANT AND HEAT-RESISTANT EXQUISITE CRAFTSMANSHIP

Product Overview

KRONZ M12 S-CODE 5-core straight pre cast connector is designed specifically for high-voltage industrial applications, supporting working voltages up to 630VAC. This product adopts a 5-core design and is suitable for devices such as sensors, encoders, motors, etc. that require multi signal transmission. Compliant with the IEC 61076-2-101 international standard, ensuring compatibility and reliability worldwide.

Core technical parameters

Encoding Type	S-CODE (High Voltage Encoding)
Pin quantity	5 cores
Rated current	12A
Working voltage	630VAC
Cable specification	5 × 1.5mm ² (5 × 16AWG) black PVC
Connector Type	Straight Male/Female
Protection level	IP67
Optional length	2M/5M/10M or customized

Analysis

PRODUCT ANALYSIS

MORE COMPREHENSIVE UNDERSTANDING OF THE PRODUCT

PVC MATERIAL WITH HIGH FLEXIBILITY AND BENDING RESISTANCE



Typical application areas

- High voltage sensor connection
- Encoder signal transmission
- Servo motor control
- Inverter connection
- Power monitoring system
- High voltage testing equipment
- Industrial automation production line
- new energy equipment

Degree of protection IP67 Waterproof and dustproof

Durable, Waterproof, Dustproof



PRODUCT NAME	SERIES PRODUCT DISPLAY
	Pre-assembled cable M12 -- Power series
<p>Straight</p> <p>Male and female options available</p>	
<p>Angled</p> <p>Male and female options available</p>	

*There are many product categories, only some products are displayed.
If you need other products, please contact customer service and send the product catalog

Ordering and Customization

Standard Model List

INDUSTRIAL CONNECTOR PARAMETER TABLE

THE STANDARD LENGTH IS 2/5/10 METERS, AND ANY LENGTH CAN BE CUSTOMIZED

model	length	Specifications
M1204SM-2/P00K	2M	4-core S-CODE straight type
M1204SM-5/P00K	5M	4-core S-CODE straight type
M1204SM-10/P00K	10M	4-core S-CODE straight type

customized service

- Support customization of any length: 2M/5M/10M or any length
- Cable material options: P00K (PVC black)/P01K (PUR black)
- Code system: T-CODE/K-CODE/S-CODE/L-CODE/L-CODE
- Model: Straight or Curved
- Interface: Male/Female
- Wire gauge: PVC.PUR
- Pre cast wire color can be customized
- Customized production based on customer drawings or samples
- Provide professional technical consultation

Your Trusted Partner in Industrial Automation

KRONZ is a manufacturing enterprise located in Zengcheng District, Guangzhou, China. For many years, we have been dedicated to providing customers with efficient industrial automation solutions and related industrial products.

Core products: Industrial connectors, inductive/capacitive/optoelectronic/ultrasonic sensors, industrial power supplies, industrial fieldbus, RFID recognition systems, and industrial Ethernet switches.

R&D and production: We have complete product processing equipment and a professional team proficient in various automation technologies. In order to improve product quality and production efficiency, we continue to introduce advanced production equipment and technology, and constantly strengthen research and development investment.

Customization capability: We not only produce standard products, but also have strong customization production capabilities, which can produce according to customers' design drawings or samples.

Service philosophy: Adhering to the principle of mutual benefit and win-win, we provide customers with competitive prices and perfect after-sales service. KRONZ's products have been sold to multiple countries and have won the trust and praise of customers.

ABOUT US

KRONZ is a manufacturing enterprise located in Zengcheng District, Guangzhou City. We focus on providing customers with high-efficiency industrial automation solutions and related industrial products. After many years of innovation and development, KRONZ has complete product processing equipment and a professional team who are proficient in various automation technologies.

In order to improve the quality of products and production efficiency, we continue to introduce advanced production equipment and technology, strengthen investment in research and development. At present, our main products include Industrial Connectors, Inductive Sensors, Capacitive Sensors, Photoelectric Sensors, Ultrasonic Sensors, Industrial power supplies, Industrial fieldbus, RFID recognition systems, Industrial Ethernet Switches

We not only produce the orders of standard products, but also have ability to make customize production based on customer design drawings or samples.

Adhering to the principle of mutual benefit, we provide our customers with competitive prices, and perfect after-sales service. KRONZ's products have been sold in multiple countries, have won the trust and praise of customers. KRONZ expect to collaborate with you.



OUR FACTORY

Secure Payment & Fast Shipping Worldwide

We provide flexible and convenient payment methods and a global logistics network to ensure the safety and fast delivery of your goods.

Payment Methods: We support various international payment methods such as PayPal, Western Union, T/T (telegraphic transfer), MoneyGram, etc. to ensure transaction security.

Shipping Partners: We maintain long-term partnerships with top logistics companies such as TNT, UPS, SF Express, FedEx, EMS, DHL, etc.

Transportation instructions:

Samples and small batch orders: We use fast shipping methods, including air freight and express delivery, to ensure that you receive the

products for testing as soon as possible.

Large scale orders: You can choose sea freight, air freight, railway or truck transportation according to your needs, providing you with the most cost-effective logistics solution.

Proxy shipping: We can directly send the goods to your designated proxy warehouse.

Customized service: If you need special transportation methods, please feel free to contact us at any time.

Logistics and Payment



The graphic features a central illustration of a globe surrounded by various transportation modes: a cargo ship, a semi-truck, a commercial van, and an airplane. Above the globe are the logos for PayPal, Western Union, and VISA T/T. Below the globe are logos for TNT, UPS, SF Express, FedEx Express, EMS, and DHL. To the right of these logos is a list of three shipping service points. At the bottom of the graphic is a world map with several colored location pins placed over major regions.

PayPal **WESTERN UNION** **VISA T/T**

TNT **UPS** **SF EXPRESS** 顺丰速运

FedEx Express **EMS** **DHL**

1. Samples and small orders can be shipped with fast shipment method, by air and by express. Bulk order will ship by sea, by air, by train, by truck etc.
2. We also can send the goods to your agent warehouse.
3. If you need any more shipping method, please feel free to contact with us.



A world map with several colored location pins placed over major regions: Canada, United States, Brazil, Russia, China, India, Australia, and New Zealand.

Technical Support & Services

- Expert technical assistance for product selection and configuration
- Installation guidance and support
- Troubleshooting and issue resolution
- Product warranty and repair services
- Training and education resources
- Customized solutions for unique application needs



Note:

Due to the wide range of our products, we cannot list all product pictures and corresponding product parameters. If you have other needs, please communicate with me. We can provide supplementary information and technical support.
We Are Happy to Serve You.



KRONZ Kronz (guangzhou) Electronics Co., Ltd.



+8618924160375



sales02@kronz.cn



connector-industrial.com

Floor 7, Building 12B, Hanhe Robot Intelligent Manufacturing Base Exhibition Center, Xiangshan Avenue,
Zengcheng Economic Development Zone, Guangzhou, Guangdong Province, China